

C4.0 WATER RATE IMPLEMENTATION MODEL

After a rate or series of rates are derived from experimentation (using the rate development model) use this Implementation Model to see how the rates effect overall revenues, as well as how the rates effect individual customers. This model can be used on historical billing or usage data to generate a comprehensive planning strategy for the coming year. This model will not function without good usage data. Also - this model allows for rates that have more overage levels than the development model. Up to thirty levels of rate structure can be modeled in this sophisticated system, and different rates (up to 3) can be modeled with differing areas or types of customers in the MAIN spreadsheet. Detailed revenue and usage statistical reports can also be generated - along with graphical charting tools. This is one of the more powerful water tools and can be very valuable in the public presentation processes, associated with a rate change.

C4.1 RATE QUERY and ANALYSIS by CUSTOMER

C4.2 RATE STRUCTURE

C4.3 ANNUAL CUSTOMER USAGE DATA and RATE APPLICATIONS

C4.4 CURRENT CONSUMPTION DATA

C4.5 REVENUE from CURRENT and PROPOSED RATES

C4.6 RATE REVENUE COMPARISONS by AREA CHART

C4.7 RATE REVENUE COMPARISONS by TYPE CHART

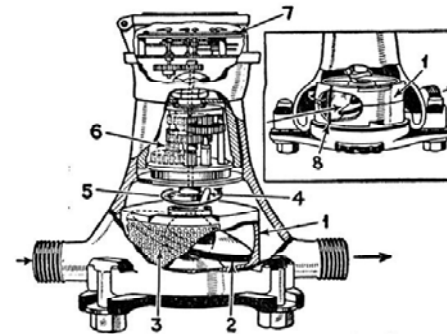
C4.8 WATER CONSUMPTION BY AREA PIE CHART

C4.9 WATER CONSUMPTION BY TYPE PIE CHART

C4.10 MONTHLY WATER CONSUMPTION BY AREA CHART

C4.11 MONTHLY WATER CONSUMPTION BY TYPE CHART

C4.12 License Agreement



© 2001-2005 by GeoAnalytica - all rights reserved